



**BONTRAGER**

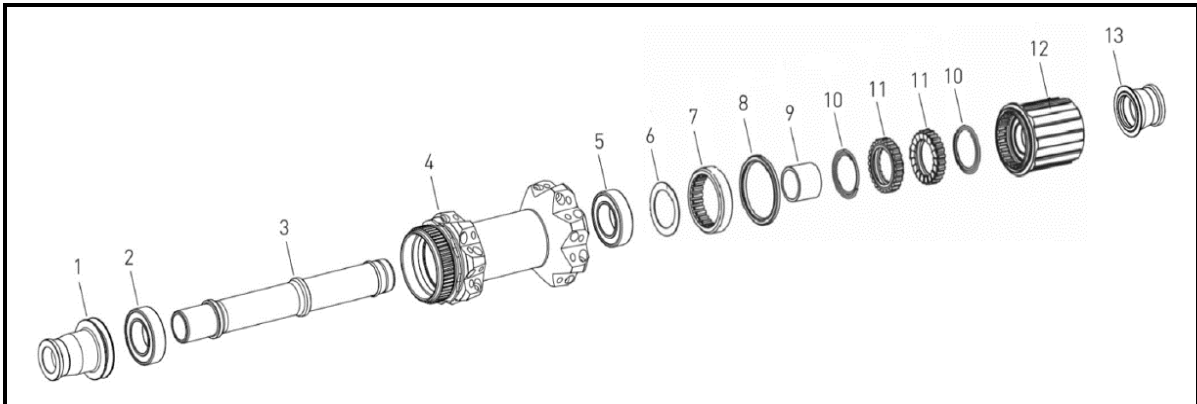
**WHEEL SPECIFICATIONS**

**Aeolus Pro 37 Disc TLR Clincher Rear Wheel**



**Wheel Components**

TCG Part Number	Description
598980/599062	Wheel - 142mm OLD
NA	Hub (OE use only, not available for aftermarket purchase)
NA	Rim
W534180	Drive Side Spokes
W313346	Non-Drive Side Spokes
W593860	Nipples
W548391	Tubeless Rim Strip
W597345	Tubeless Valve Stem



**Hub Service Parts**

Diagram Number	TCG Part Number	Description
1	1046262	Axle End Cap Non-Drive Side
Not Pictured	5290204	End Cap Kit - Shimano QR (includes drive and non-drive side end caps)
Not Pictured	5290205	End Cap Kit - SRAM XDR QR (includes drive and non-drive side end caps)
2	413573	Ball Bearing 6902 15x28x7mm (Steel, stock)
2	413574	Ball Bearing 6902 15x28x7mm (Ceramic, upgrade option)
3	1046261	Axle
4	NA	Hub Shell
5	413573	Ball Bearing 6902 15x28x7mm (Steel, stock)
5	413574	Ball Bearing 6902 15x28x7mm (Ceramic, upgrade option)
6	406899	Shim Ring
7	406900	Ring Nut
8	W211591	Seal Hub Shell/Rotor
9	W276495	Spacer
10	406901	Spring
11	515907	Star Ratchet 36T Upgrade (wheels ship with 18T star ratchets)
12	W431448	Freehub aluminum, Shimano 9/10/11-Speed compatible (Includes 5mm drive side end cap)
Not Pictured	W580844	Freehub, XDR w/12mm end cap
Not Pictured	5291428	Freehub, Campagnolo N3W (includes 12mm drive side end cap)
13	513112	Shimano 11-Speed Road End Cap 12mm (this part includes Non-Drive Side End Cap that does not fit this hub)
Not Pictured	1051432	Bontrager Centerlock Lockring
Not Pictured	W329910	Cassette spacer, required to use 10 speed Shimano cassettes with OE freehub

## Wheel Building Information and Specifications

Value	Description or Specification
<b>Wheel Building Information</b>	
0.4	Hop (mm)
0.4	Wobble (mm)
0.6	Dish (mm)
NA	Wheel stress level drive side up (degrees of rotation, measured on Bontrager Stressor)
NA	Wheel stress level non-drive side up (degrees of rotation, measured on Bontrager Stressor)
253 lbs min, 340 lbs max OR 114.8 kgf min, 154.2 kgf max	Spoke Tension, Drive Side
115 lbs min OR 52 kgf	Spoke Tension, Non-Drive Side
Lacing Pattern Drive Side	2 cross. Pulling spokes outside. Pushing spokes inside. Spokes woven, pulling spokes on the inside of the second cross. First hole CW from valve hole is a pushing spoke.
Lacing Pattern Non-Drive Side	2 cross. Pulling spokes outside. Pushing spokes inside. Spokes woven, pulling spokes on the inside of the cross. First hole CW from valve hole is a pushing spoke.
Additional build instructions	NA
<b>Size Specifications</b>	
280mm	Spoke Length Drive
284mm	Spoke Length Non-Drive
571mm	Rim ERD
37mm	Rim height
28mm	Rim outer width
21mm	Rim inner hook bead width
NA	Rim spoke offset
<b>Other Specifications</b>	
820g	Wheel weight
440g	Rim weight
270g	Hub weight
Carbon/Black	Wheel Color
Black	Hub color
Black	Spoke color
Carbon/Black	Rim color
24	Spoke Count
14/17G	Spoke Gauge
Centerlock	Disc brake interface
Yes	Tubeless ready