

TREK



2022 ROSCOE 7, 8, 9

SERVICE MANUAL SUPPLEMENT

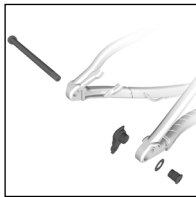
Contents



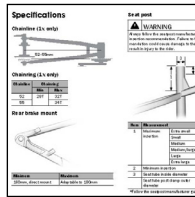
[Safety](#)



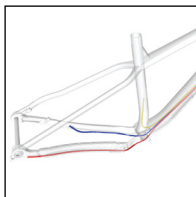
[Frame guards](#)



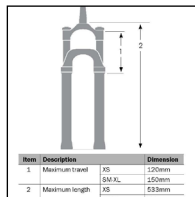
[Derailleur hanger](#)



[Specifications](#)



[Cabling](#)



[Suspension](#)

Safety

WARNING

Properly tighten hardware

Always tighten hardware to the specified torque. Over-tightening hardware could deform or break the hardware or components. Under-tightening hardware could cause hardware or components to become loose. Either situation could damage the bicycle and result in injury to the rider.

WARNING

Reapply threadlocker

All reused-fasteners with pre-applied threadlocker must be cleaned with isopropyl alcohol and have new threadlocker applied before re-assembly. If threadlocker is not applied, the fasteners may loosen which could damage the bicycle and result in injury to the rider.

Legend



Apply grease



Do not apply grease



Apply threadlocker

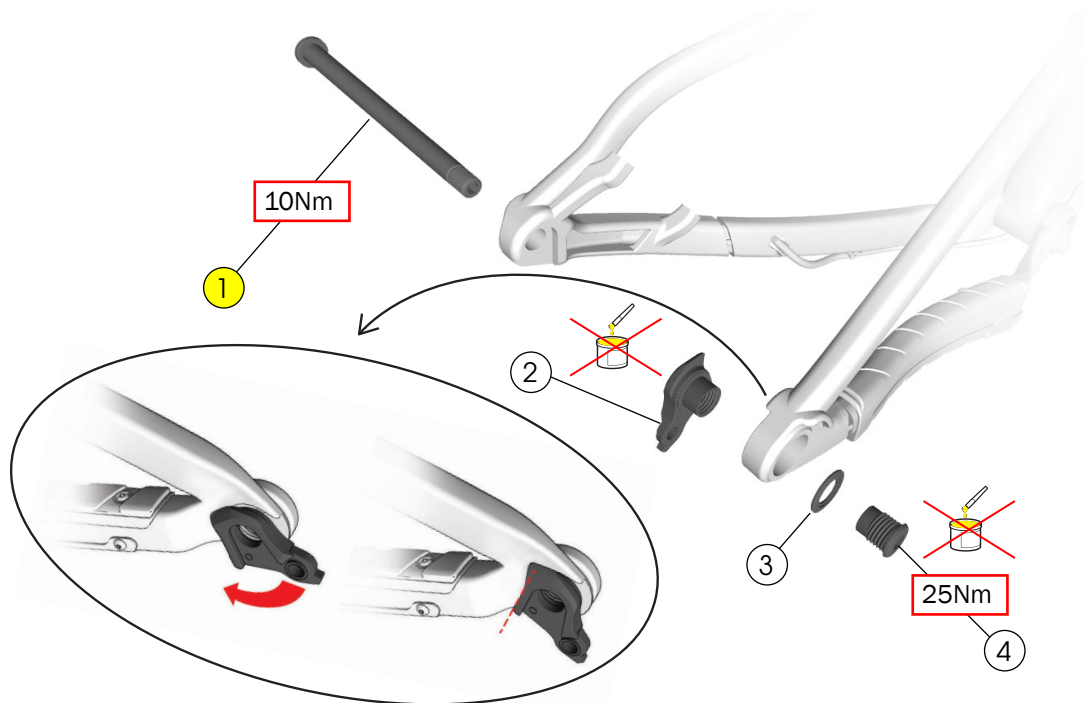


Torque



Zip tie

Deraileur hanger



- ① Thru axle – W600321
 - ② Deraileur Hanger
 - ③ Washer
 - ④ Bolt
- } – W600660

Tools

- 8mm hex tool
- Torque wrench (left-hand thread) with 8mm hex bit



WARNING

Do not apply grease to the derailleurs hanger or bolt. Apply grease to only the thru axle.

This bicycle frame is designed to use a Universal Derailleurs Hanger (UDH).

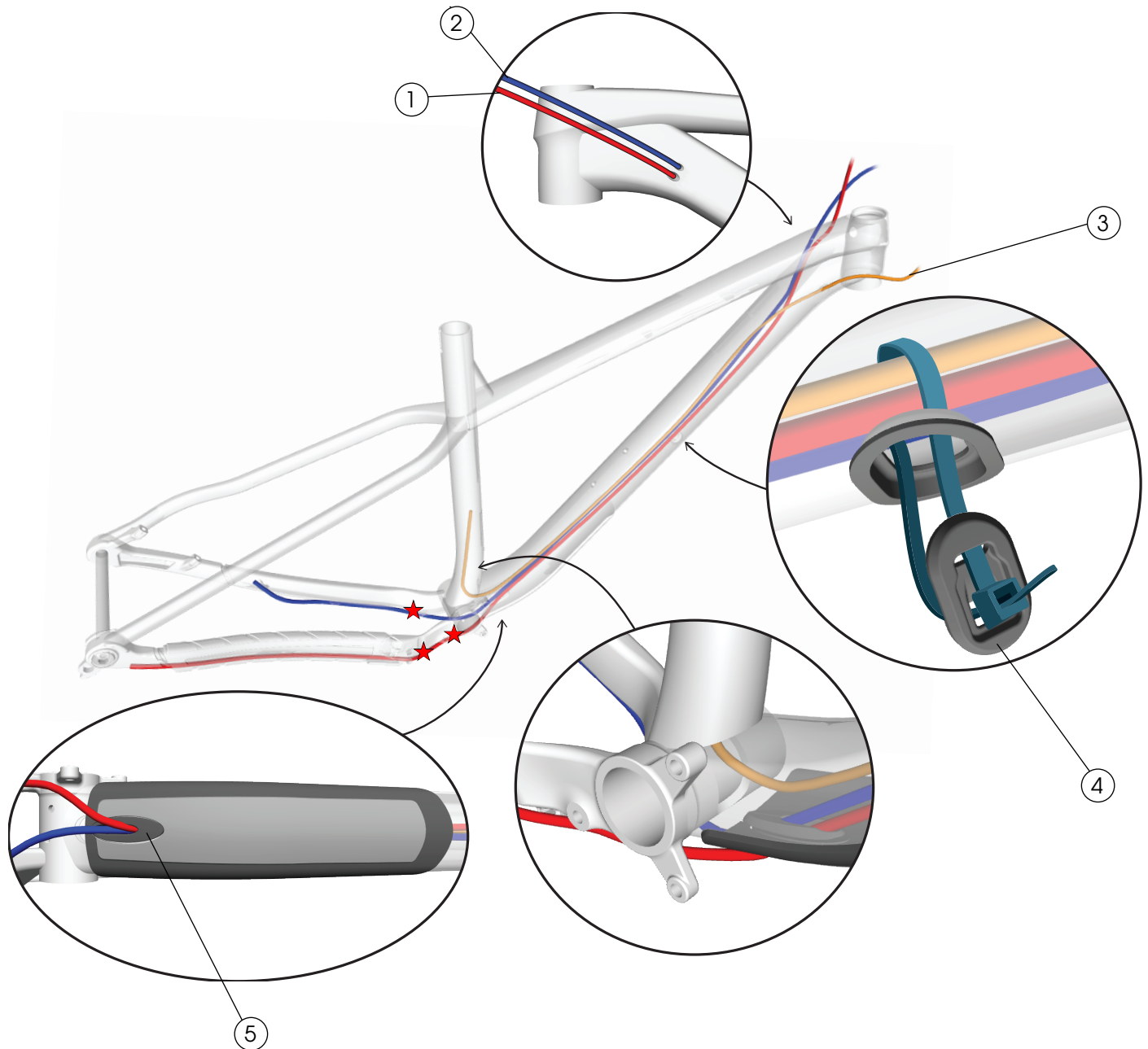
NOTICE: The thru axle must be compatible with a UDH and must be M12x1.0 with a 12.7mm thread.

NOTICE: The washer is frame-specific. Install only the washer compatible with your frame.

NOTICE: Do not over-tighten. Over-tightening the bolt could cause the hanger to break.

For additional information about the UDH, refer to the SRAM user manual at www.sram.com.

Cabling



- ① Derailler cable
- ② Rear brake hose
- ③ Dropper post cable
- ④ Zip tie guide for internal routing – W513977
- ⑤ Plug cable guide – W5253075
- ★ Zip tie

Zip tie guide

Tips:

- Before inserting the zip tie, bend it in half to create a crease. This will make it to easier wrap the zip tie around the cables and out through the hole.
- Use a hook tool and a pick tool to hold the cables and guide the zip tie around them.

Frame guards



- ① Chainstay guard — W5252847
- ② Downtube guard — W5253074
- ★ Zip tie

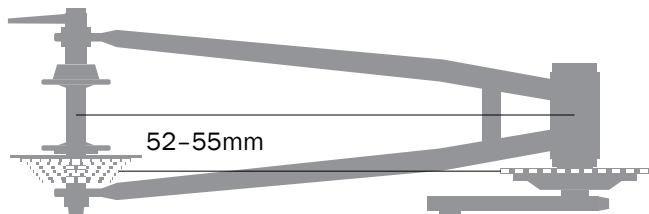
Downtube guard

Use isopropyl alcohol to clean the frame surface where the guard (2) attaches. Wait for the alcohol to dry before applying the guard.

Notice: Do not clean the entire frame with isopropyl alcohol. Isopropyl alcohol could damage the paint.

Specifications

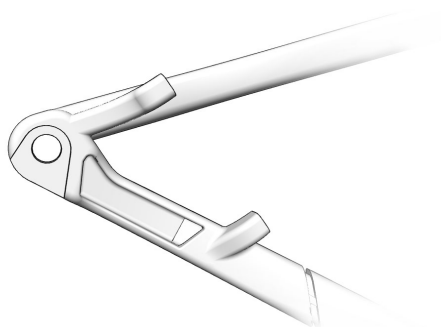
Chainline (1x only)



Chainring (1x only)

Chainline	Chainring	
	Min	Max
52	28T	32T
55		34T

Rear brake mount



Minimum	Maximum
160mm, direct mount	Adaptable to 180mm

Maximum tire size

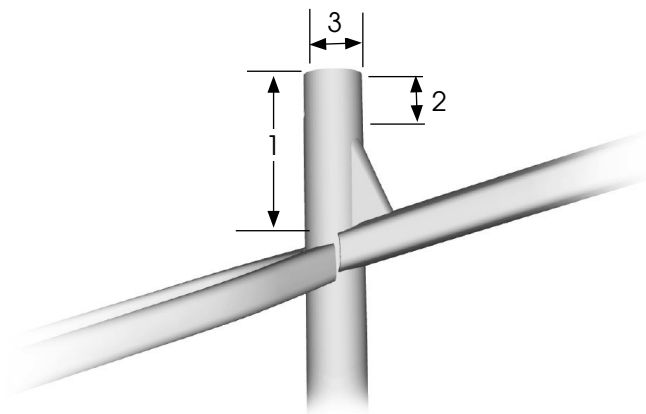
Notice: Measurements of actual tires may vary. Always verify there is sufficient clearance between the tire and the frame. Improper tire size could damage the bicycle frame. Trek recommends 6mm clearance above and on the sides of the tire.

Wheel set	Maximum tire size
29"	29.0" x 2.60"
27.5"	27.5" x 2.60"

Seat post

WARNING

Always follow the seatpost manufacturer's minimum insertion recommendation. Failure to follow the recommendation could cause damage to the seatpost and result in injury to the rider.



Item	Measurement		
1	Maximum insertion	Extra small	190mm
		Small	200mm
		Medium	240mm
		Medium/large	
		Large	250mm
2	Minimum insertion	Extra large	
			75mm*
3	Seat tube inside diameter	31.6mm	
	Seat tube post clamp outer diameter	36.2mm	

*Follow the seatpost manufacturer guidelines.

Bottom bracket / ISCG tabs



Bottom Bracket	ISCG Tabs
BSA73	ISCG 05

Suspension

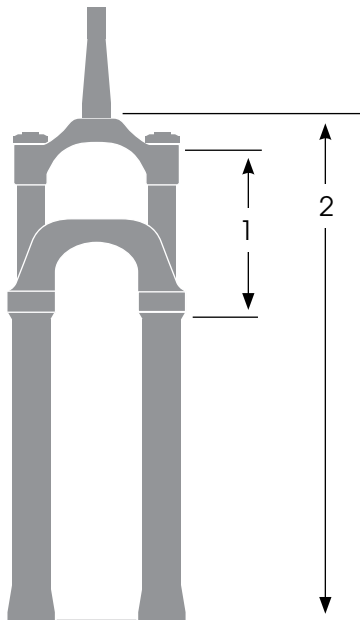
The first step in suspension setup is to determine the sag. All other settings should be adjusted after determining the sag. Refer to the suspension setup card included with your bike or the suspension calculator at [Trekbikes.com/suspension-calculator](https://trekbikes.com/suspension-calculator).

Fork



WARNING

Exceeding the recommended maximum fork length could damage the bicycle and result in injury to the rider.



Item	Description	Dimension	
1	Maximum travel	XS	120mm
		SM-XL	150mm
2	Maximum length	XS	533mm
		SM-XL	563mm